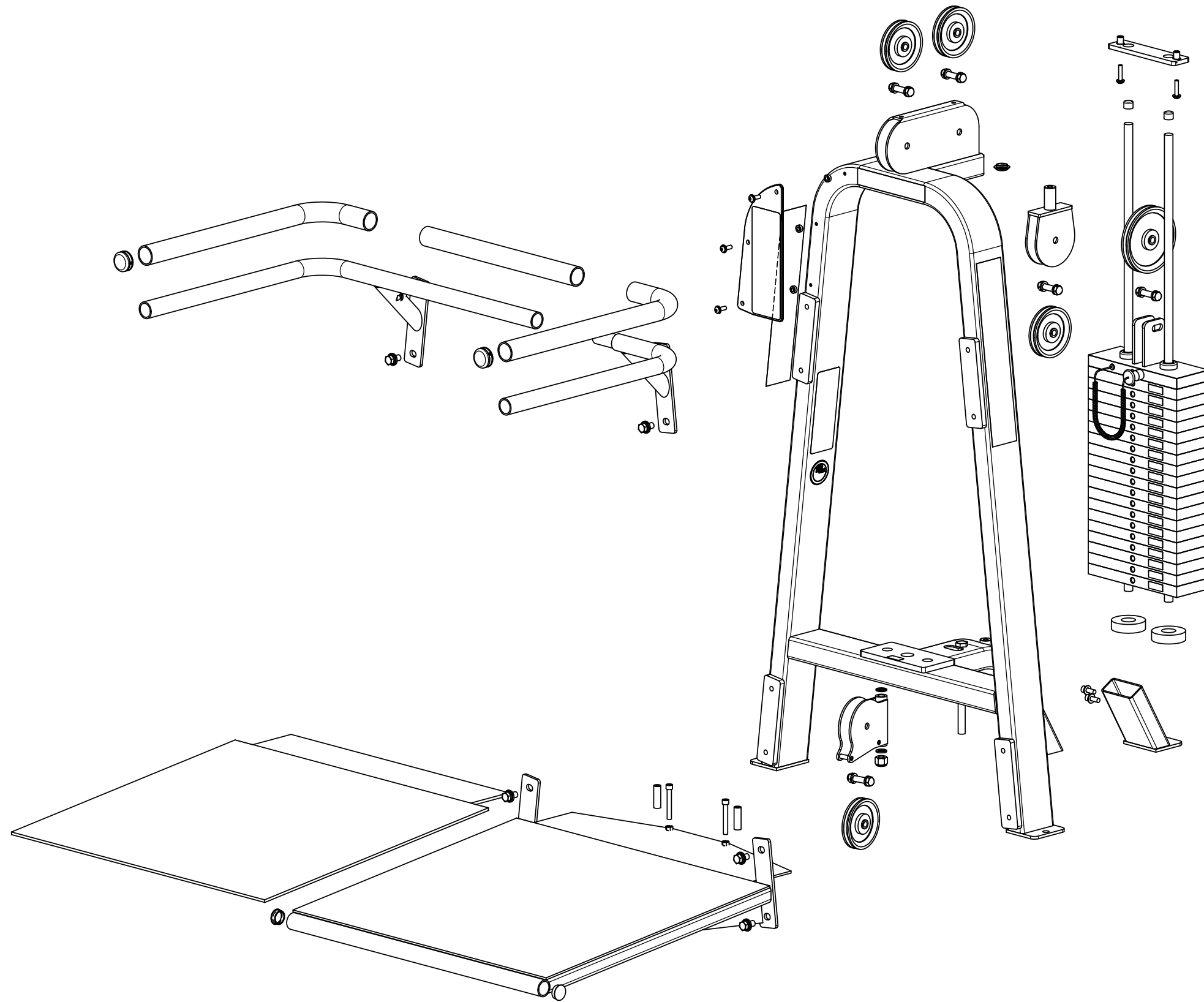


REVISIONS				
REV	ECN #	DESCRIPTION	REV. BY/DATE	APR. BY
A	-----	INITIAL RELEASE	05/2003	



ITEM	QTY	PART #	DESCRIPTION
1	1	FT660-SA-1	#4 "A" FRAME ASSY, with plate & 2 holes
2	1	FT660-SA-2	PLATFORM ASSY
3	1	FT660-SA-3	LEFT HANDLE ASSY
4	1	FT660-SA-4	RIGHT HANDLE ASSY
5	1	AC1001	LABEL, "ICARIAN", 1 1/2 x 8 1/8
6	2	AC1002	LABEL, "ICARIAN", 3 1/2 x 21 1/2
7	4	AC1009	PULLEY, 4 1/2" DIA x 1/2" ID
8	1	AC1010	PULLEY, 6" DIA x 1/2" ID
9	2	AC1040	CAP, GUIDE ROD, DIA. 3/4
10	2	AC1055	DOMED 1/4" HOLE PLUG, BLACK PLASTIC
11	1	AC1112	GROMMET, DIA 1"
12	2	AC1148	WEIGHT STACK BUMPER
13	1	AC1161	LABEL, ROUND, "MADE IN USA"
14	1	AC1164	LABEL, F.P.I. SERIAL NUMBER
15	1	AC1183	LABEL, "WARNING, SERIOUS INJURY..."
16	3	AC1228	SPACER, ALU, 21/64 ID x 5/8 OD x (1/4)
17	1	AC1230	INSTRUCTION PLACARD, 1/4" TEXTURED ABS PLASTIC
18	1	AC1239	CARBINE HOOK, MEDIUM
19	2	AC1243-30	RUBBERGRIP, DIA 1 1/2" x (25 1/2)
20	1	AC1243-30	RUBBERGRIP, DIA 1 1/2" x (18 3/4)
21	1	AC1254	FOOT STIRRUP
22	2	AC242	HANDLE END CAP W/SET SCREWS DIA. 1 1/2"
23	1	ACFT660	LABEL, INSTRUCTION, "TOTAL LEG FT660"
24	2	CH1212	GUIDE ROD, 3/4 x 42 5/8 (#4)
25	1	CP0013	CREPE, 1/4 x 27 1/8 x 31 1/2 x (32 3/4)
26	2	CP1165	VINYL HOSE, 5/8 OD x 3/8 ID x (2)
27	1	PF1015	STEEL BAR FLAT CR/HR, 3/8 x 2 x (8 1/4), 2 HOLES 2 SLOTS
28	1	RR-FT660-68-500	CABLE ASSY, RI-FT660-68-500
29	1	RI-FT660-91-500	CABLE ASSY, RI-FT660-91-500
30	1	SA1035	SWIVEL PULLEY HOUSING ASSY
31	1	SA1124	FLOATING PULLEY HOUSING ASSY.
32	1	SA2033	ADJ. LEVELING FOOT ASSY (30 DEG)
33	1	WS2005	WEIGHT STACK, 20 PLATE, 200 LBS.
34	8	FA1011	BOLT, HEX HEAD, BLK, 1/2-13 x 1
35	10	FA1035	NUT, HEX, ACORN, 1/2-13
36	1	FA1045	NUT, HEX, NYLOCK, 5/8-11
37	2	FA1055	NUT, INSERT, 5/16-18
38	3	FA1071	BOLT, BUTTON HEAD, 5/16-18 x 1
39	2	FA1072	BOLT, BUTTON HEAD, 5/16-18 x 1 1/2
40	2	FA1078	BOLT, SOCKET HEAD, 3/8-16 x 1
41	5	FA1101	STUD, 1/2-13 x 2 1/2
42	2	FA1102	WASHER, NYLON, 5/8 ID x 15/16 OD x 3/32
43	5	FA1106	WASHER, FLAT, 5/16 ID x 11/16 OD
44	2	FA1107	WASHER, FLAT, 3/8 ID x 13/16 OD
45	8	FA1109	WASHER, FLAT, 1/2 ID x 1 1/16 OD
46	5	FA1116	WASHER, SPLIT, 5/16 ID
47	2	FA1117	WASHER, SPLIT, 3/8 ID
48	18	FA1119	WASHER, SPLIT, 1/2 ID
49	2	FA1143	BOLT, SOCKET HEAD, 3/8-16 x 2 3/4

WEIGHT: 450 LBS.

UNLESS OTHERWISE SPECIFIED
DIMENSIONS ARE IN INCHES

TOLERANCES ARE:

FRACTIONS ± 1/32	DECIMALS XX ± .01 XXX ± .005	ANGLES ± 1°
---------------------	------------------------------------	----------------

THIRD ANGLE PROJECTION

DO NOT SCALE DRAWING

ICARIAN FITNESS PRODUCTS INTERNATIONAL
ICARIAN FLITE ABENCH JADE STRETCH CENTER
12660 BRANFORD ST. SUN VALLEY, CA. 91352

APPROVALS	DATE	TITLE	SCALE
DESIGNED BY RSG	01/03	FUNCTIONAL TRAINER TOTAL LEG	1:10
MODELED BY RSG	01/03		
DRAWN BY RJB	03/03	SIZE B	DWG NO. FT660-EXP
APPROVED BY			REV A

SHEET 1 OF 1

FT660 Functional Trainer, Total Leg

Part Number	Description	Bubble Number
CWFT660SA1-211	ASSY,A-FRAME,FT660,SKY WHITE	1.01
CWFT660SA1-221	ASSY,A-FRAME,FT660,BLACK	1.02
CWFT660SA1-231	ASSY,A-FRAME,FT660,RED	1.03
CWFT660SA1-241	ASSY,A-FRAME,FT660,PLT SPRKL	1.04
CWFT660SA1-251	ASSY,A-FRAME,FT660,SILVER	1.05
CWFT660SA1-261	ASSY,A-FRAME,FT660,BLUE	1.06
CWFT660SA1-271	ASSY,A-FRAME,FT660,CHARCOAL	1.07
CWFT660SA1-281	ASSY,A-FRAME,FT660,CATH GRAY	1.08
CWFT660SA1-291	ASSY,A-FRAME,FT660,SLVR VIEN	1.09
CWFT660SA1-311	ASSY,A-FRAME,FT660,STONE HG	1.11
CWFT660SA1-321	ASSY,A-FRAME,FT660,TITANIUM HG	1.12
CWFT660SA1-331	ASSY,A-FRAME,FT660,WHT GLOSS	1.13
CWFT660SA1-341	ASSY,A-FRAME,FT660,BLK ONYX	1.14
CWFT660SA1-351	ASSY,A-FRAME,FT660,LT. BRONZ	1.15
CWFT660SA1-361	ASSY,A-FRAME,FT660,SAPPHR BL	1.16
CWFT660SA2-211	ASSY,PLATFORM,FT660,SKY WHITE	2.01
CWFT660SA2-221	ASSY,PLATFORM,FT660,BLACK	2.02
CWFT660SA2-231	ASSY,PLATFORM,FT660,RED	2.03
CWFT660SA2-241	ASSY,PLATFORM,FT660,PLATINUM SPRKL	2.04
CWFT660SA2-251	ASSY,PLATFORM,FT660,SILVER	2.05
CWFT660SA2-261	ASSY,PLATFORM,FT660,BLUE	2.06
CWFT660SA2-271	ASSY,PLATFORM,FT660,CHARCOAL	2.07
CWFT660SA2-281	ASSY,PLATFORM,FT660,CATHEDRAL GREY	2.08
CWFT660SA2-291	ASSY,PLATFORM,FT660,SILVER VIEN	2.09
CWFT660SA2-311	ASSY,PLATFORM,FT660,STONE HG	2.11
CWFT660SA2-321	ASSY,PLATFORM,FT660,TITANIUM HG	2.12
CWFT660SA2-331	ASSY,PLATFORM,FT660,WHITE GLOSS	2.13
CWFT660SA2-341	ASSY,PLATFORM,FT660,BLACK ONYX	2.14
CWFT660SA2-351	ASSY,PLATFORM,FT660,LIGHT BRONZE	2.15
CWFT660SA2-361	ASSY,PLATFORM,FT660,SAPPHIRE BLUE	2.16
CWFT660SA3-211	ASSY,HANDLE LEFT,FT660,SKY WHITE	3.01
CWFT660SA3-221	ASSY,HANDLE LEFT,FT660,BLACK	3.02
CWFT660SA3-231	ASSY,HANDLE LEFT,FT660,RED	3.03
CWFT660SA3-241	ASSY,HANDLE LEFT,FT660,PLATINUM SPR	3.04
CWFT660SA3-251	ASSY,HANDLE LEFT,FT660,SILVER	3.05
CWFT660SA3-261	ASSY,HANDLE LEFT,FT660,BLUE	3.06
CWFT660SA3-271	ASSY,HANDLE LEFT,FT660,CHARCOAL	3.07
CWFT660SA3-281	ASSY,HANDLE LEFT,FT660,CATHEDRAL GR	3.08
CWFT660SA3-291	ASSY,HANDLE LEFT,FT660,SILVER VIEN	3.09
CWFT660SA3-311	ASSY,HANDLE LEFT,FT660,STONE HG	3.11
CWFT660SA3-321	ASSY,HANDLE LEFT,FT660,TITANIUM HG	3.12
CWFT660SA3-331	ASSY,HANDLE LEFT,FT660,WHITE GLOSS	3.13
CWFT660SA3-341	ASSY,HANDLE LEFT,FT660,BLACK ONYX	3.14
CWFT660SA3-351	ASSY,HANDLE LEFT,FT660,LIGHT BRONZE	3.15
CWFT660SA3-361	ASSY,HANDLE LEFT,FT660,SAPPHIRE BLU	3.16
CWFT660SA4-211	ASSY,HANDLE RIGHT,FT660,SKY WHITE	4.01
CWFT660SA4-221	ASSY,HANDLE RIGHT,FT660,BLACK	4.02
CWFT660SA4-231	ASSY,HANDLE RIGHT,FT660,RED	4.03
CWFT660SA4-241	ASSY,HANDLE RIGHT,FT660,PLATINUM SP	4.04

CWFT660SA4-251	ASSY,HANDLE RIGHT,FT660,SILVER	4.05
CWFT660SA4-261	ASSY,HANDLE RIGHT,FT660,BLUE	4.06
CWFT660SA4-271	ASSY,HANDLE RIGHT,FT660,CHARCOAL	4.07
CWFT660SA4-281	ASSY,HANDLE RIGHT,FT660,CATHEDR	4.08
CWFT660SA4-291	ASSY,HANDLE RIGHT,FT660,SILVER VIEN	4.09
CWFT660SA4-311	ASSY,HANDLE RIGHT,FT660,STONE HG	4.11
CWFT660SA4-321	ASSY,HANDLE RIGHT,FT660,TITANIUM HG	4.12
CWFT660SA4-331	ASSY,HANDLE RIGHT,FT660,WHITE GLOSS	4.13
CWFT660SA4-341	ASSY,HANDLE RIGHT,FT660,BLACK ONYX	4.14
CWFT660SA4-351	ASSY,HANDLE RIGHT,FT660,LIGHT BRONZ	4.15
CWFT660SA4-361	ASSY,HANDLE RIGHT,FT660,SAPPHIRE BL	4.16
CWAC1009-101	PULLEY, 4 1/2 DIA. X 1/2 ID	7
CWAC1010-101	PULLEY, 6 DIA X 1/2 ID	8
CW12404-101	CAP, GUIDE ROD,DIA 3/4, BLK	9
CW11095-105	CAP, PLASTIC, HEYCO, DOME PLUG, 1.2	10
CW12626-101	GROMMET, HOLE, FLEXTMP, OD 1.04, I	11
CW12402-101	BUMPER, WEIGHT STACK, BLK RUBBER	12
CWAC1228-901	SPACER, ALU,.328 ID X .625 OD X .25	16
CW12589-741	CARBINE, HOOK, MEDIUM, 5/16" DIA, 3	18
CWGR4325-500	GRIP,RUBBER, 1-1/2" DIA, 25-1/2"	19
CWGR4318-750	GRIP,RUBBER, 1-1/2" DIA, 18-3/4"	20
CW30900-101	ASSY, FOOT STIRRUP	21
CWAC242-901	HANDLE END CAP W/SET SCREWS, DIA 1	22
CWPF1212-711	GUIDE ROD, 3/4 X 42 5/8 (#4), CHM	24
CWCP0013-101	CUT PIECE, CREPE, 1/4 X 27 1/8 X 3	25
CW10340-200	TUBE, VINYL, 5/8 OD X 3/8 ID X 2.0	26
CWPF1015-721	BAR,STEEL, FLAT CR/HR, 3/8 X 2 X 8	27
CWCLRR068-500	ASSY, CABLE, FT660	28
CWCLRT091-500	ASSY, CABLE, FT660	29
CWSA1035-721	WELDMENT,SWIVEL PULLEY HOUSING,WRKL	30
CW31214-721	ASSY,FLOATING PULLEY HOUSING,	31
CWSA2033-731	ASSY, ADJ, LEVELING FOOT,30 DEGREE,	32
CW30108-200	WEIGHT STACK,200 LBS,MTP-S,2345,19	33
CWHCYN050-100	SCREW,HEX HEAD,BLK XYLAN,1/2-13 X 1	34
CWKADLN050-081	NUT, ACORN, 1/2-13	35
CWKAYN063-075	LOCKNUT, NYLON INSERT, FULL, UNC, 5	36
CW12537-109	NUT,INSERT,THIN-NUT,LARGE FLANGE	37
CWTAYN031-100	SCREW, BUTTON HEAD, BLK XYLAN, 5/1	38
CWTAYN031-150	SCREW, BUTTON HEAD, BLK XYLAN,5/16	39
CWCAYN038-100	SCREW, SOCKET HEAD, BLK XYLAN, 3/	40
CWBFNN050-250	STUD, 1/2-13 X 2 1/2	41
CWWACNN063-009	WASHER, NYLON, 5/8 ID X 15/16 OD X	42
CWWBKN031-007	WASHER, FLAT, TYPE A, SAE, 5/16 ID	43
CWWBKN038-007	WASHER, FLAT, TYPE A, SAE, 3/8 ID	44
CWWBKN050-010	WASHER, FLAT, TYPE A, SAE, 1/2 ID X	45
CWWALYN031-008	WASHER, SPLIT, 5/16 ID, BL	46
CWWALYN038-009	WASHER, SPLIT, 3/8 ID, BLK XYLAN	47
CWWALYN050-013	WASHER, SPLIT, 1/2 ID, BLK XYLAN	48
CWCAYN038-275	SCREW, SOCKET HEAD, BLK XYLAN, 3/	49
CW30010-101	LABEL,WARNING STRENGTH	50
CW30156-101	ASSY, LABEL,INSTRUCTION,FT660	51

CW31756-101	LABEL, PRECOR USA ICARIAN LINE	52
CW10510-721	ASSY, PLATE, WEIGHT, 10 LBS, WRKL B	201
CWAC1133-101	BUSHING, WEIGHT PLATE, LDPE PLASTIC	203
CW30172-751	ASSY, 4.00 IN WEIGHT STACK PIN AND	227
CWLDNN038-200	PIN, ROLL, DIA 3/8 X 2	250
CW30184-901	ASSY,BARREL, TOP PLATE,ALUMINUM	251
CW30388-721	WELDMENT, WEIGHT, TOP, MTP-S, PF234	255
CWAC1185-101	LABL,KEEP HND&FT CLR(CEMCO)3/8X6.75	259
CW30132-712	SELECTOR STEM, 20 PLATE,0 .875 DIA,	309
CW12401-100	LABEL, WEIGHT PLATE, 5.0 LBS/ 2.3 K	313
CW12401-101	LABEL, WEIGHT PLATE, 7.5 LBS/ 3.5 K	314
CW12401-102	LABEL, WEIGHT PLATE, 10 LBS/ 4.6 KG	315
CW12401-103	LABEL, WEIGHT PLATE, 12.5 LBS/ 5.7	316
CW12401-104	LABEL, WEIGHT PLATE, 15 LBS/ 6.8 KG	317
CW12401-105	LABEL, WEIGHT PLATE, 17.5 LBS/ 8 KG	318
CW12401-106	LABEL, WEIGHT PLATE, 20 LBS/ 8 KG	319
CW12401-107	LABEL, WEIGHT PLATE, 22.5 LBS/ 10.2	320
CW12401-108	LABEL, WEIGHT PLATE, 25 LBS/ 11.4 K	321
CW12401-109	LABEL, WEIGHT PLATE, 27.5 LBS/ 12.5	322
CW12401-110	LABEL, WEIGHT PLATE, 30 LBS/ 13.6 K	323
CW12401-111	LABEL, WEIGHT PLATE, 32.5 LBS/ 14.8	324
CW12401-112	LABEL, WEIGHT PLATE, 35 LBS/ 15.9 K	325
CW12401-113	LABEL, WEIGHT PLATE, 37.5 LBS/ 17 K	326
CW12401-114	LABEL, WEIGHT PLATE, 40 LBS/ 18.2 K	327
CW12401-116	LABEL, WEIGHT PLATE, 45 LBS/ 20.5 K	329
CW12401-117	LABEL, WEIGHT PLATE, 47.5 LBS/ 21.6	330
CW12401-118	LABEL, WEIGHT PLATE, 50 LBS/ 22.7 K	331
CW12537-109	NUT,INSERT,THIN-NUT,LARGE FLANGE	400
CW30126-101	LABEL,VINYL, PRECOR, 3.25 X 18.0	401
CWPF3143-211	SHROUD,SHEET,STEEL,3/32 THICK,4 BEN	402.01
CWPF3143-221	SHROUD,SHEET,STEEL,3/32 THICK,4 BEN	402.02
CWPF3143-231	SHROUD,SHEET,STEEL,3/32 THICK,4 BEN	402.03
CWPF3143-241	SHROUD,SHEET,STEEL,3/32 THICK,4 BEN	402.04
CWPF3143-251	SHROUD,SHEET,STEEL,3/32 THICK,4 BEN	402.05
CWPF3143-261	SHROUD,SHEET,STEEL,3/32 THICK,4 BEN	402.06
CWPF3143-271	SHROUD,SHEET,STEEL,3/32 THICK,4 BEN	402.07
CWPF3143-281	SHROUD,SHEET,STEEL,3/32 THICK,4 BEN	402.08
CWPF3143-291	SHROUD,SHEET,STEEL,3/32 THICK,4 BEN	402.09
CWPF3143-311	SHROUD,SHEET,STEEL,3/32 THICK,4 BEN	402.11
CWPF3143-321	SHROUD,SHEET,STEEL,3/32 THICK,4 BEN	402.12
CWPF3143-331	SHROUD,SHEET,STEEL,3/32 THICK,4 BEN	402.13
CWPF3143-341	SHROUD,SHEET,STEEL,3/32 THICK,4 BEN	402.14
CWPF3143-351	SHROUD,SHEET,STEEL,3/32 THICK,4 BEN	402.15
CWPF3143-361	SHROUD,SHEET,STEEL,3/32 THICK,4 BEN	402.16
CWPF3143-711	SHROUD,SHEET,STEEL,3/32 THICK,4 BEN	402.17
CWPF3144-721	SHROUD BRKT,PLATE,STEEL,1/8 THICK,1	403
CWPF3145-721	SHROUD BRKT,PLATE,STEEL,1/8 THICK,2	404
CWTAYN031-100	SCREW, BUTTON HEAD, BLK XYLAN, 5/1	405
CWWALYN031-008	WASHER, SPLIT, 5/16 ID, BL	406
CWWBKN031-007	WASHER, FLAT, TYPE A, SAE, 5/16 ID	407

FT660 Functional Trainer, Total Leg

Part Number	Description	Bubble Number
CWFT660SA1-211	ASSY,A-FRAME,FT660,SKY WHITE	1.01
CWFT660SA1-221	ASSY,A-FRAME,FT660,BLACK	1.02
CWFT660SA1-231	ASSY,A-FRAME,FT660,RED	1.03
CWFT660SA1-241	ASSY,A-FRAME,FT660,PLT SPRKL	1.04
CWFT660SA1-251	ASSY,A-FRAME,FT660,SILVER	1.05
CWFT660SA1-261	ASSY,A-FRAME,FT660,BLUE	1.06
CWFT660SA1-271	ASSY,A-FRAME,FT660,CHARCOAL	1.07
CWFT660SA1-281	ASSY,A-FRAME,FT660,CATH GRAY	1.08
CWFT660SA1-291	ASSY,A-FRAME,FT660,SLVR VIEN	1.09
CWFT660SA1-311	ASSY,A-FRAME,FT660,STONE HG	1.11
CWFT660SA1-321	ASSY,A-FRAME,FT660,TITANIUM HG	1.12
CWFT660SA1-331	ASSY,A-FRAME,FT660,WHT GLOSS	1.13
CWFT660SA1-341	ASSY,A-FRAME,FT660,BLK ONYX	1.14
CWFT660SA1-351	ASSY,A-FRAME,FT660,LT. BRONZ	1.15
CWFT660SA1-361	ASSY,A-FRAME,FT660,SAPPHR BL	1.16
CWFT660SA2-211	ASSY,PLATFORM,FT660,SKY WHITE	2.01
CWFT660SA2-221	ASSY,PLATFORM,FT660,BLACK	2.02
CWFT660SA2-231	ASSY,PLATFORM,FT660,RED	2.03
CWFT660SA2-241	ASSY,PLATFORM,FT660,PLATINUM SPRKL	2.04
CWFT660SA2-251	ASSY,PLATFORM,FT660,SILVER	2.05
CWFT660SA2-261	ASSY,PLATFORM,FT660,BLUE	2.06
CWFT660SA2-271	ASSY,PLATFORM,FT660,CHARCOAL	2.07
CWFT660SA2-281	ASSY,PLATFORM,FT660,CATHEDRAL GREY	2.08
CWFT660SA2-291	ASSY,PLATFORM,FT660,SILVER VIEN	2.09
CWFT660SA2-311	ASSY,PLATFORM,FT660,STONE HG	2.11
CWFT660SA2-321	ASSY,PLATFORM,FT660,TITANIUM HG	2.12
CWFT660SA2-331	ASSY,PLATFORM,FT660,WHITE GLOSS	2.13
CWFT660SA2-341	ASSY,PLATFORM,FT660,BLACK ONYX	2.14
CWFT660SA2-351	ASSY,PLATFORM,FT660,LIGHT BRONZE	2.15
CWFT660SA2-361	ASSY,PLATFORM,FT660,SAPPHIRE BLUE	2.16
CWFT660SA3-211	ASSY,HANDLE LEFT,FT660,SKY WHITE	3.01
CWFT660SA3-221	ASSY,HANDLE LEFT,FT660,BLACK	3.02
CWFT660SA3-231	ASSY,HANDLE LEFT,FT660,RED	3.03
CWFT660SA3-241	ASSY,HANDLE LEFT,FT660,PLATINUM SPR	3.04
CWFT660SA3-251	ASSY,HANDLE LEFT,FT660,SILVER	3.05
CWFT660SA3-261	ASSY,HANDLE LEFT,FT660,BLUE	3.06
CWFT660SA3-271	ASSY,HANDLE LEFT,FT660,CHARCOAL	3.07
CWFT660SA3-281	ASSY,HANDLE LEFT,FT660,CATHEDRAL GR	3.08
CWFT660SA3-291	ASSY,HANDLE LEFT,FT660,SILVER VIEN	3.09
CWFT660SA3-311	ASSY,HANDLE LEFT,FT660,STONE HG	3.11
CWFT660SA3-321	ASSY,HANDLE LEFT,FT660,TITANIUM HG	3.12
CWFT660SA3-331	ASSY,HANDLE LEFT,FT660,WHITE GLOSS	3.13
CWFT660SA3-341	ASSY,HANDLE LEFT,FT660,BLACK ONYX	3.14
CWFT660SA3-351	ASSY,HANDLE LEFT,FT660,LIGHT BRONZE	3.15
CWFT660SA3-361	ASSY,HANDLE LEFT,FT660,SAPPHIRE BLU	3.16
CWFT660SA4-211	ASSY,HANDLE RIGHT,FT660,SKY WHITE	4.01
CWFT660SA4-221	ASSY,HANDLE RIGHT,FT660,BLACK	4.02
CWFT660SA4-231	ASSY,HANDLE RIGHT,FT660,RED	4.03
CWFT660SA4-241	ASSY,HANDLE RIGHT,FT660,PLATINUM SP	4.04

CWFT660SA4-251	ASSY,HANDLE RIGHT,FT660,SILVER	4.05
CWFT660SA4-261	ASSY,HANDLE RIGHT,FT660,BLUE	4.06
CWFT660SA4-271	ASSY,HANDLE RIGHT,FT660,CHARCOAL	4.07
CWFT660SA4-281	ASSY,HANDLE RIGHT,FT660,CATHEDR	4.08
CWFT660SA4-291	ASSY,HANDLE RIGHT,FT660,SILVER VIEN	4.09
CWFT660SA4-311	ASSY,HANDLE RIGHT,FT660,STONE HG	4.11
CWFT660SA4-321	ASSY,HANDLE RIGHT,FT660,TITANIUM HG	4.12
CWFT660SA4-331	ASSY,HANDLE RIGHT,FT660,WHITE GLOSS	4.13
CWFT660SA4-341	ASSY,HANDLE RIGHT,FT660,BLACK ONYX	4.14
CWFT660SA4-351	ASSY,HANDLE RIGHT,FT660,LIGHT BRONZ	4.15
CWFT660SA4-361	ASSY,HANDLE RIGHT,FT660,SAPPHIRE BL	4.16
CWAC1009-101	PULLEY, 4 1/2 DIA. X 1/2 ID	7
CWAC1010-101	PULLEY, 6 DIA X 1/2 ID	8
CW12404-101	CAP, GUIDE ROD,DIA 3/4, BLK	9
CW11095-105	CAP, PLASTIC, HEYCO, DOME PLUG, 1.2	10
CW12626-101	GROMMET, HOLE, FLEXTMP, OD 1.04, I	11
CW12402-101	BUMPER, WEIGHT STACK, BLK RUBBER	12
CWAC1228-901	SPACER, ALU,.328 ID X .625 OD X .25	16
CW12589-741	CARBINE, HOOK, MEDIUM, 5/16" DIA, 3	18
CWGR4325-500	GRIP,RUBBER, 1-1/2" DIA, 25-1/2"	19
CWGR4318-750	GRIP,RUBBER, 1-1/2" DIA, 18-3/4"	20
CW30900-101	ASSY, FOOT STIRRUP	21
CWAC242-901	HANDLE END CAP W/SET SCREWS, DIA 1	22
CWPF1212-711	GUIDE ROD, 3/4 X 42 5/8 (#4), CHM	24
CWCP0013-101	CUT PIECE, CREPE, 1/4 X 27 1/8 X 3	25
CW10340-200	TUBE, VINYL, 5/8 OD X 3/8 ID X 2.0	26
CWPF1015-721	BAR,STEEL, FLAT CR/HR, 3/8 X 2 X 8	27
CWCLRR068-500	ASSY, CABLE, FT660	28
CWCLRT091-500	ASSY, CABLE, FT660	29
CWSA1035-721	WELDMENT,SWIVEL PULLEY HOUSING,WRKL	30
CW31214-721	ASSY,FLOATING PULLEY HOUSING,	31
CWSA2033-731	ASSY, ADJ, LEVELING FOOT,30 DEGREE,	32
CW30108-200	WEIGHT STACK,200 LBS,MTP-S,2345,19	33
CWHCYN050-100	SCREW,HEX HEAD,BLK XYLAN,1/2-13 X 1	34
CWKADLN050-081	NUT, ACORN, 1/2-13	35
CWKAYN063-075	LOCKNUT, NYLON INSERT, FULL, UNC, 5	36
CW12537-109	NUT,INSERT,THIN-NUT,LARGE FLANGE	37
CWTAYN031-100	SCREW, BUTTON HEAD, BLK XYLAN, 5/1	38
CWTAYN031-150	SCREW, BUTTON HEAD, BLK XYLAN,5/16	39
CWCAYN038-100	SCREW, SOCKET HEAD, BLK XYLAN, 3/	40
CWBFNN050-250	STUD, 1/2-13 X 2 1/2	41
CWWACNN063-009	WASHER, NYLON, 5/8 ID X 15/16 OD X	42
CWWBKN031-007	WASHER, FLAT, TYPE A, SAE, 5/16 ID	43
CWWBKN038-007	WASHER, FLAT, TYPE A, SAE, 3/8 ID	44
CWWBKN050-010	WASHER, FLAT, TYPE A, SAE, 1/2 ID X	45
CWWALYN031-008	WASHER, SPLIT, 5/16 ID, BL	46
CWWALYN038-009	WASHER, SPLIT, 3/8 ID, BLK XYLAN	47
CWWALYN050-013	WASHER, SPLIT, 1/2 ID, BLK XYLAN	48
CWCAYN038-275	SCREW, SOCKET HEAD, BLK XYLAN, 3/	49
CW30010-101	LABEL,WARNING STRENGTH	50
CW30156-101	ASSY, LABEL,INSTRUCTION,FT660	51

CW31756-101	LABEL, PRECOR USA ICARIAN LINE	52
CW10510-721	ASSY, PLATE, WEIGHT, 10 LBS, WRKL B	201
CWAC1133-101	BUSHING, WEIGHT PLATE, LDPE PLASTIC	203
CW30172-751	ASSY, 4.00 IN WEIGHT STACK PIN AND	227
CWLDNN038-200	PIN, ROLL, DIA 3/8 X 2	250
CW30184-901	ASSY,BARREL, TOP PLATE,ALUMINUM	251
CW30388-721	WELDMENT, WEIGHT, TOP, MTP-S, PF234	255
CWAC1185-101	LABL,KEEP HND&FT CLR(CEMCO)3/8X6.75	259
CW30132-712	SELECTOR STEM, 20 PLATE,0 .875 DIA,	309
CW12401-100	LABEL, WEIGHT PLATE, 5.0 LBS/ 2.3 K	313
CW12401-101	LABEL, WEIGHT PLATE, 7.5 LBS/ 3.5 K	314
CW12401-102	LABEL, WEIGHT PLATE, 10 LBS/ 4.6 KG	315
CW12401-103	LABEL, WEIGHT PLATE, 12.5 LBS/ 5.7	316
CW12401-104	LABEL, WEIGHT PLATE, 15 LBS/ 6.8 KG	317
CW12401-105	LABEL, WEIGHT PLATE, 17.5 LBS/ 8 KG	318
CW12401-106	LABEL, WEIGHT PLATE, 20 LBS/ 8 KG	319
CW12401-107	LABEL, WEIGHT PLATE, 22.5 LBS/ 10.2	320
CW12401-108	LABEL, WEIGHT PLATE, 25 LBS/ 11.4 K	321
CW12401-109	LABEL, WEIGHT PLATE, 27.5 LBS/ 12.5	322
CW12401-110	LABEL, WEIGHT PLATE, 30 LBS/ 13.6 K	323
CW12401-111	LABEL, WEIGHT PLATE, 32.5 LBS/ 14.8	324
CW12401-112	LABEL, WEIGHT PLATE, 35 LBS/ 15.9 K	325
CW12401-113	LABEL, WEIGHT PLATE, 37.5 LBS/ 17 K	326
CW12401-114	LABEL, WEIGHT PLATE, 40 LBS/ 18.2 K	327
CW12401-116	LABEL, WEIGHT PLATE, 45 LBS/ 20.5 K	329
CW12401-117	LABEL, WEIGHT PLATE, 47.5 LBS/ 21.6	330
CW12401-118	LABEL, WEIGHT PLATE, 50 LBS/ 22.7 K	331
CW12537-109	NUT,INSERT,THIN-NUT,LARGE FLANGE	400
CW30126-101	LABEL,VINYL, PRECOR, 3.25 X 18.0	401
CWPF3143-211	SHROUD,SHEET,STEEL,3/32 THICK,4 BEN	402.01
CWPF3143-221	SHROUD,SHEET,STEEL,3/32 THICK,4 BEN	402.02
CWPF3143-231	SHROUD,SHEET,STEEL,3/32 THICK,4 BEN	402.03
CWPF3143-241	SHROUD,SHEET,STEEL,3/32 THICK,4 BEN	402.04
CWPF3143-251	SHROUD,SHEET,STEEL,3/32 THICK,4 BEN	402.05
CWPF3143-261	SHROUD,SHEET,STEEL,3/32 THICK,4 BEN	402.06
CWPF3143-271	SHROUD,SHEET,STEEL,3/32 THICK,4 BEN	402.07
CWPF3143-281	SHROUD,SHEET,STEEL,3/32 THICK,4 BEN	402.08
CWPF3143-291	SHROUD,SHEET,STEEL,3/32 THICK,4 BEN	402.09
CWPF3143-311	SHROUD,SHEET,STEEL,3/32 THICK,4 BEN	402.11
CWPF3143-321	SHROUD,SHEET,STEEL,3/32 THICK,4 BEN	402.12
CWPF3143-331	SHROUD,SHEET,STEEL,3/32 THICK,4 BEN	402.13
CWPF3143-341	SHROUD,SHEET,STEEL,3/32 THICK,4 BEN	402.14
CWPF3143-351	SHROUD,SHEET,STEEL,3/32 THICK,4 BEN	402.15
CWPF3143-361	SHROUD,SHEET,STEEL,3/32 THICK,4 BEN	402.16
CWPF3143-711	SHROUD,SHEET,STEEL,3/32 THICK,4 BEN	402.17
CWPF3144-721	SHROUD BRKT,PLATE,STEEL,1/8 THICK,1	403
CWPF3145-721	SHROUD BRKT,PLATE,STEEL,1/8 THICK,2	404
CWTAYN031-100	SCREW, BUTTON HEAD, BLK XYLAN, 5/1	405
CWWALYN031-008	WASHER, SPLIT, 5/16 ID, BL	406
CWWBKN031-007	WASHER, FLAT, TYPE A, SAE, 5/16 ID	407